

## Introduction

The SF750 range of dot matrix indicators utilises the latest surface mount technology to give a reliable and user friendly set of dot matrix indicators. The indicators communicate with the encoder board or the MEC32 control system via Controller Area Network (C.A.N) protocol. This allows for reliable and industry standard communication which is well proven technology .The indicators are manufactured in the U.K. The indicators are fully reprogrammable on site without the need for a laptop computer.

## Description

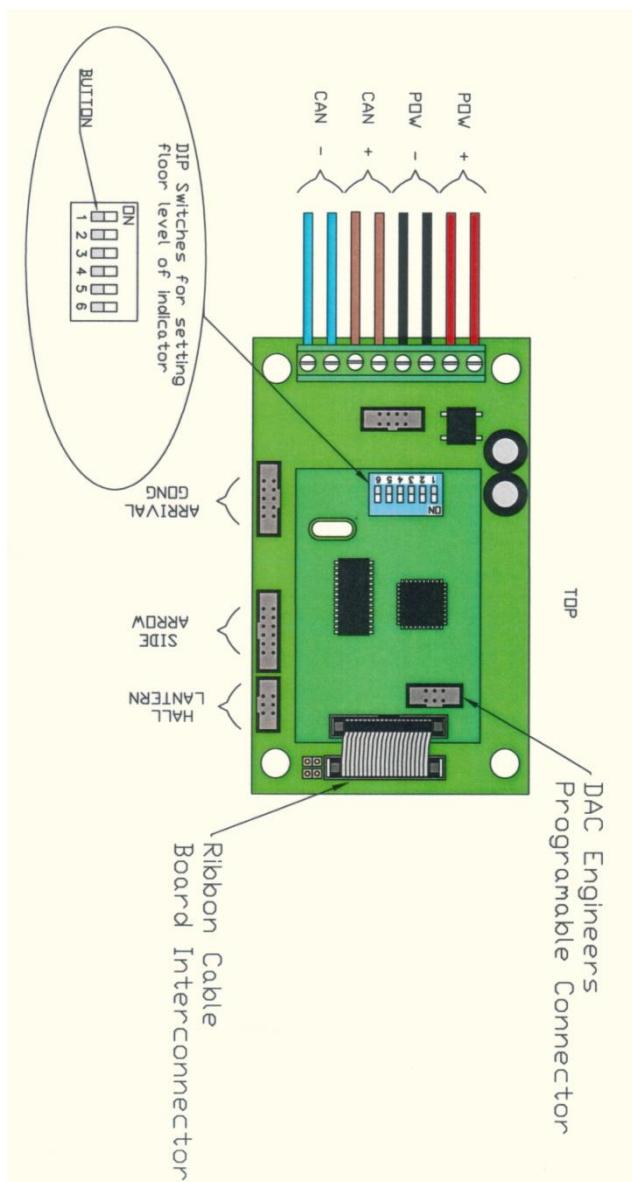
The indicators are mainly controlled from the control system or the encoder board. The position and messages are sent directly from the master to the indicators and not stored in the indicator. The positions and messages can be reprogrammed from the control system or SF750 encoder card (refer to relevant manual for instructions). This means the number of floors and messages is only limited by the controller or encoder.

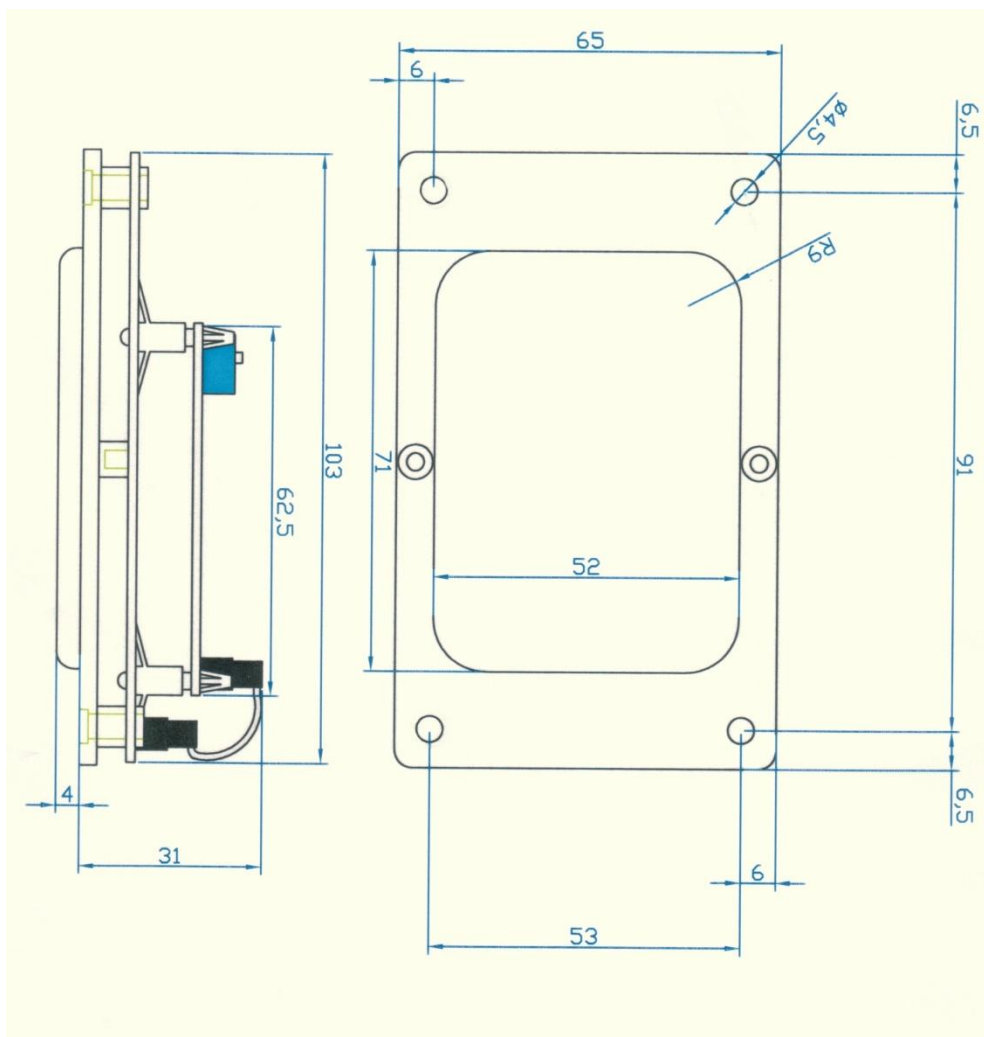
For the correct operation of the hall lanterns and gongs the indicator needs to know the level it is positioned, this is achieved via a set of DIP switches on the indicator which can be set to indicate the level of the indicator. This starts from the lowest level on the encoder or the microprocessor and is normally level 1, each switch is set as the chart below for each floor level. The coding is Binary.

Level	Sw 1	Sw 2	Sw 3	Sw 4	Sw 5	Sw 6
1	on	off	off	off	off	off
2	off	on	off	off	off	off
3	on	on	off	off	off	off
4	off	off	on	off	off	off
5	on	off	on	off	off	off
6	off	on	on	off	off	off
7	on	on	on	off	off	off
8	off	off	off	on	off	off
9	on	off	off	on	off	off
10	off	on	off	on	off	off
11	on	on	off	on	off	off
12	off	off	on	on	off	off
13	on	off	on	on	off	off
14	off	on	on	on	off	off
15	on	on	on	on	off	off
16	off	off	off	off	on	off
17	on	off	off	off	on	off
18	off	on	off	off	on	off
19	on	on	off	off	on	off
20	off	off	on	off	on	off
21	on	off	on	off	on	off
22	off	on	on	off	on	off
23	on	on	on	off	on	off
24	off	off	off	on	on	off

## Features

- 30mm, 50mm versions.
- Limitless number of messages
- Horizontal and Vertical versions.
- Red, Green, Blue and Amber.
- UK Manufactured and supported.
- Fully reprogrammable on site from either the MEC32 Controller or the SF750 Encoder board.
- Plug-in gongs and Side Arrows.





Note: The top and bottom board may be split to facilitate low profile surface mount landing stations. Please order the separate loom D003-

### Technical Data

Normalised Supply Voltage	12 – 24V AC/DC +/- 10 %	Maximum Supply Voltage	35VDC
Normalised Supply Current	0.25A	Maximum Supply Current	0.5A
Minimum Temperature	0°C	Maximum Temperature	40°C

**Designed, manufactured and supported in the UK**



Unit 2 Faraday Close, Drayton Fields Industrial Estate, Daventry, NN11 8RD

TEL: +44(0)1327 879334 FAX: +44(0)1327 877087

Email: [enquiries@digital-advanced-control.co.uk](mailto:enquiries@digital-advanced-control.co.uk)

ISSUE b YSP 10

