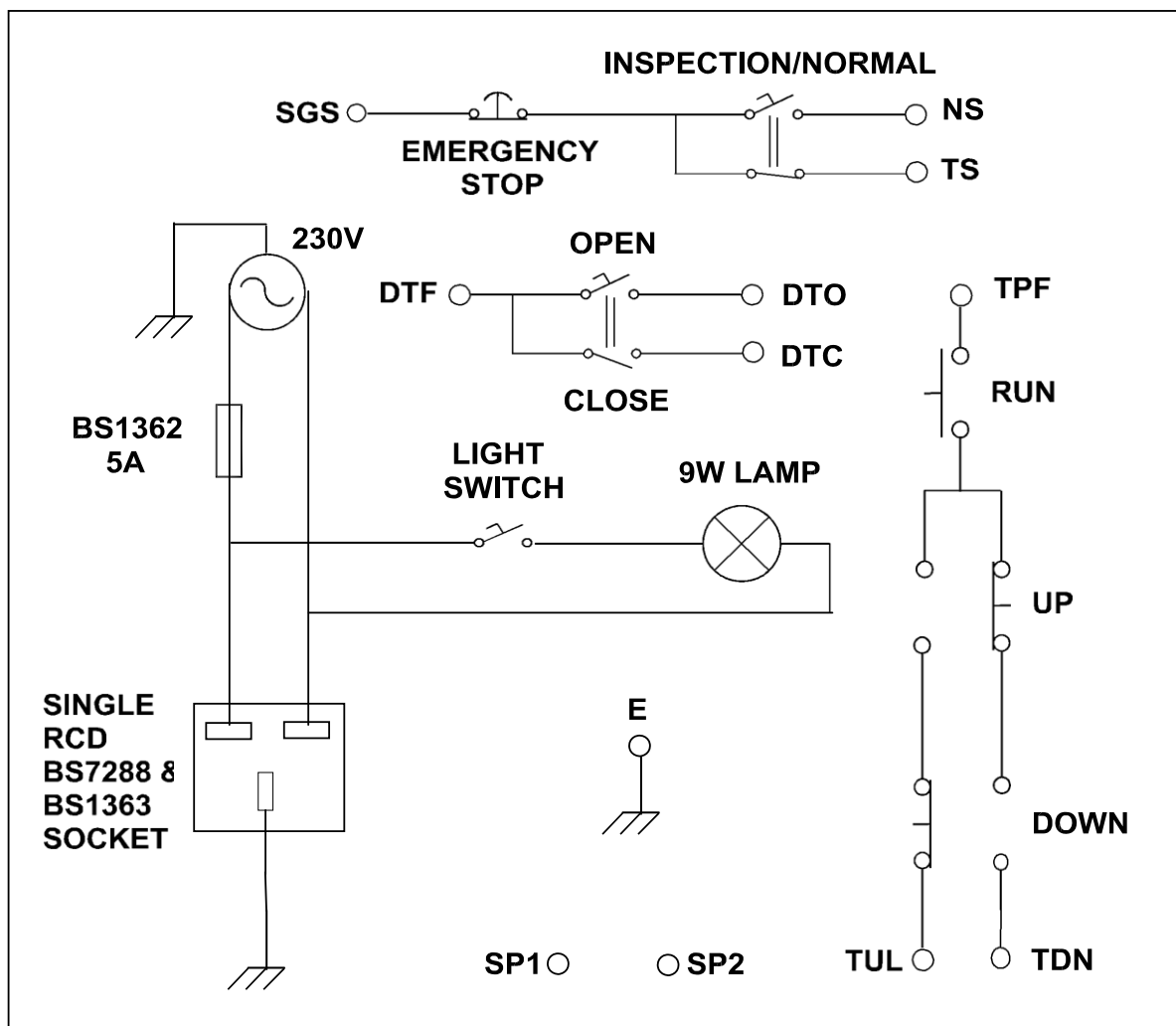


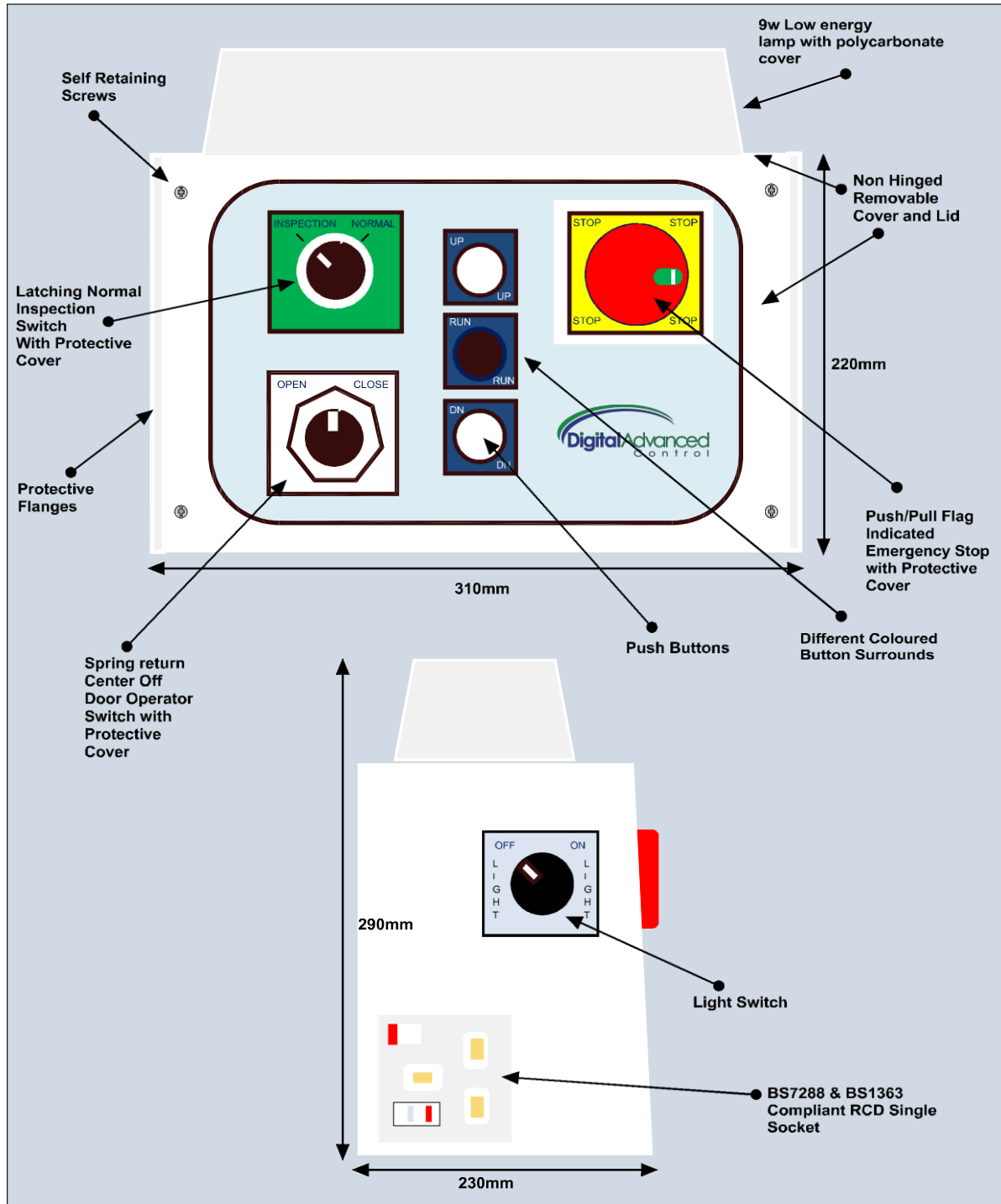
## Introduction

The Digital Advanced Control BS7255 Compliant Engineers car-top is a high-quality unit that has been designed by engineers for engineers. The unit is made up of a solid 1.2 mm thick white powder coated box which is compact, yet has enough room to work within safely. The covers are removable and have self retaining screws. The emergency stop is push/pull operation with flag indicated status, the pushbuttons and switches are of high quality European manufacture and come complete with the required protection and different coloured background to aid visibility. An RCD protected socket is supplied as standard and is fitted at 90° to aid the use of plug-in appliances when the unit is mounted. The lamp is a 9 W low-energy lamp with a protective polycarbonate cover. The unit is provided prewired to the industry standard configuration. The terminals are a quality spring-loaded terminal manufactured by Wago and are therefore easy to wire and vibration proof. Options include emergency light with a 3hr backup, engineers alarm button and rear mounted emergency stop.

## Wiring Diagram



## Engineers Car Top Dimensions and Layout



**Designed, manufactured and supported in the UK**

## Features

- Strong Box.
- Pre-Wired to Industry Standard.
- RCD BS7288 & BS1363 Socket as Standard mounted for ease of plugging in.
- Vibration Proof Wago terminals.
- Removable covers with self retaining screws.
- Protected switches with different shapes.
- Extra side protection of front cover.
- Push/Pull Flag indicated emergency stop.
- Contacts can be easily stacked if necessary.
- Colour coded wiring.
- Different coloured backgrounds to aid visibility.
- Protected 9W low energy lamp.
- Optional Emergency light with LED indication and 3Hr Backup.
- Optional Engineers Alarm.
- Optional rear mounted flag indicated emergency stop.

## Technical Data

Overall Dimensions	310mm x 290mm x 230 mm	Unit Weight	6 Kg	
Enclosure	1.2mm mild steel powder coated			
Lamp Supply Voltage	230V 50Hz AC +/- 10 %	Lamp Watts	9 Watts	
Contact Rating	To EN60947-5-1, AC15 6A/240V 3A/400V DC13 0.55A 125V/0.27A/250V			
Emergency Stop Rating	To EN60947-5-1, AC15 3A/240V			
RCD Socket	To BS7288 & BS1363			
	Voltage	230V AC 50Hz	Max Current	Fused at 5A
	Trip Current	30mA	Breaking Capacity	250A
	Trip Speed	<40mS@150mA		
Cable Capacity	1mm <sup>2</sup>			
Standards	BS7255, EN60947-5-1, BS7288, BS1363, BS1362 and BS EN 60204-1:2006+A1:2009			



Unit 2 Faraday Close, Drayton Fields Industrial Estate, Daventry, NN11 8RD

TEL: +44(0)1327 879334 FAX: +44(0)1327 877087

Email: [enquiries@digital-advanced-control.co.uk](mailto:enquiries@digital-advanced-control.co.uk)

ISSUE a



YSP 11