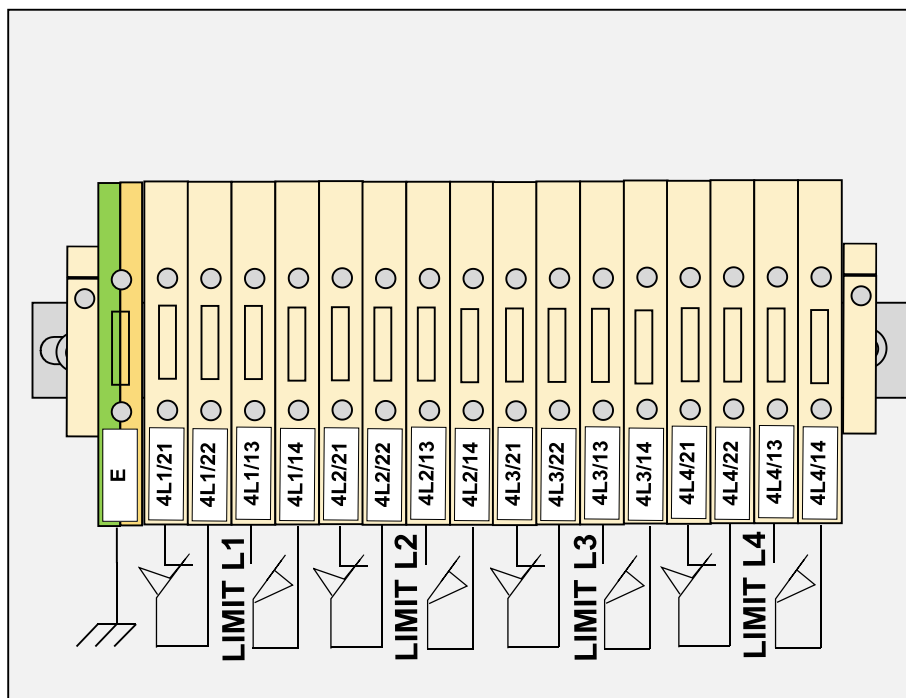


4Way Limit Switch Kit Data Sheet.

Introduction

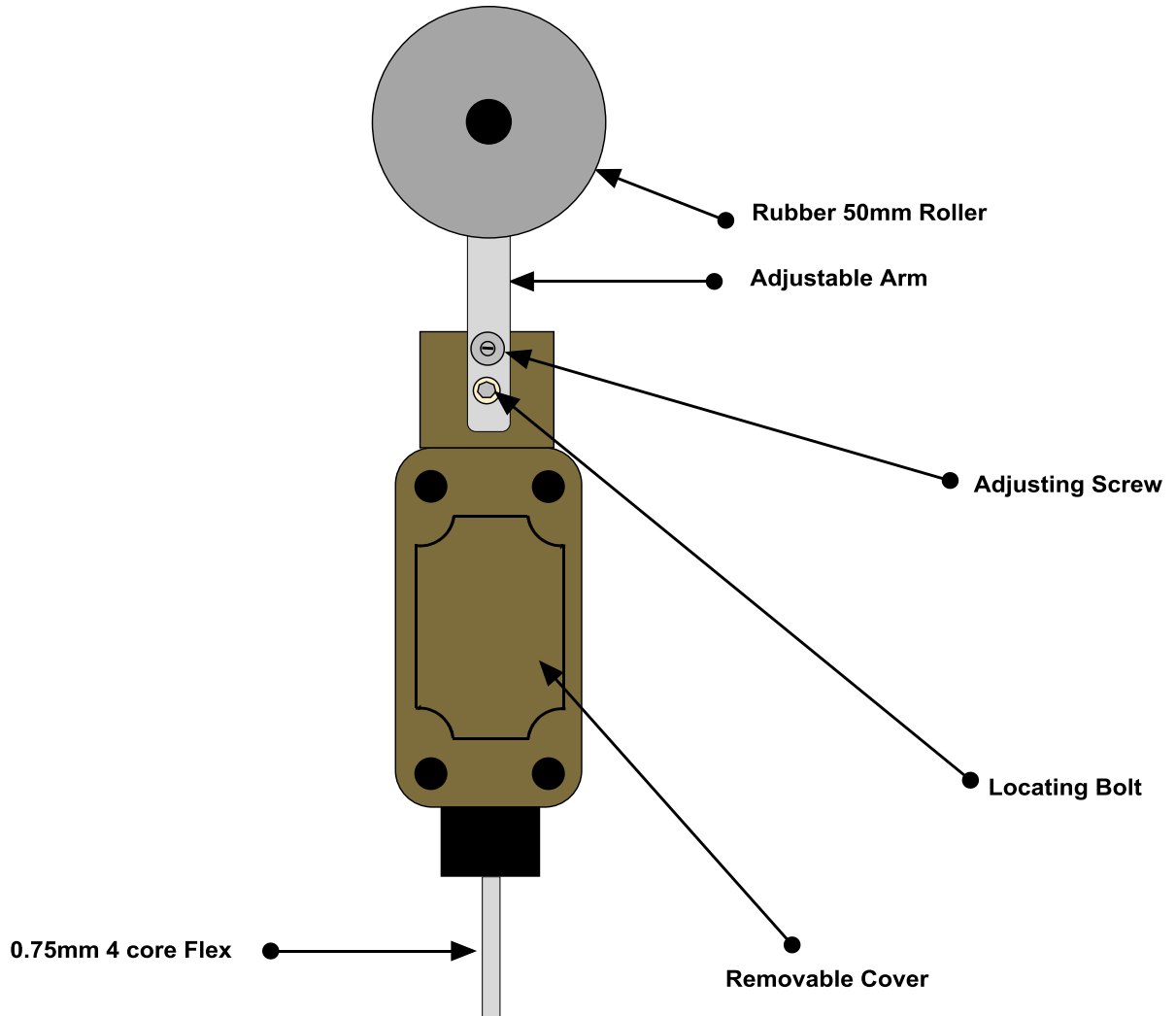
The Digital Advanced Control Limit kits, set the bar for quality, utilising the Schmersal adjustable arm limits and the best quality German terminals manufactured by Weidmuller, means that safety and reliability are assured for years to come. Assembled and tested in our factory in the UK, these limits reduce the time of installation to a minimum. Like all of our products at digital advanced control quality doesn't cost the earth either, as all materials used, are RoHS compliant and also comply with all the relevant standards. The limits are 3 m long as standard with an option to extend to 6 m with two additional limits fitted. The roller is a pliable rubber to reduce noise when the limit strikes the ramp and is adjustable in terms of length and angle of operation. The limits are also IP 67 rated and come prewired via a four core 0.7mm² flex.

Wiring layout

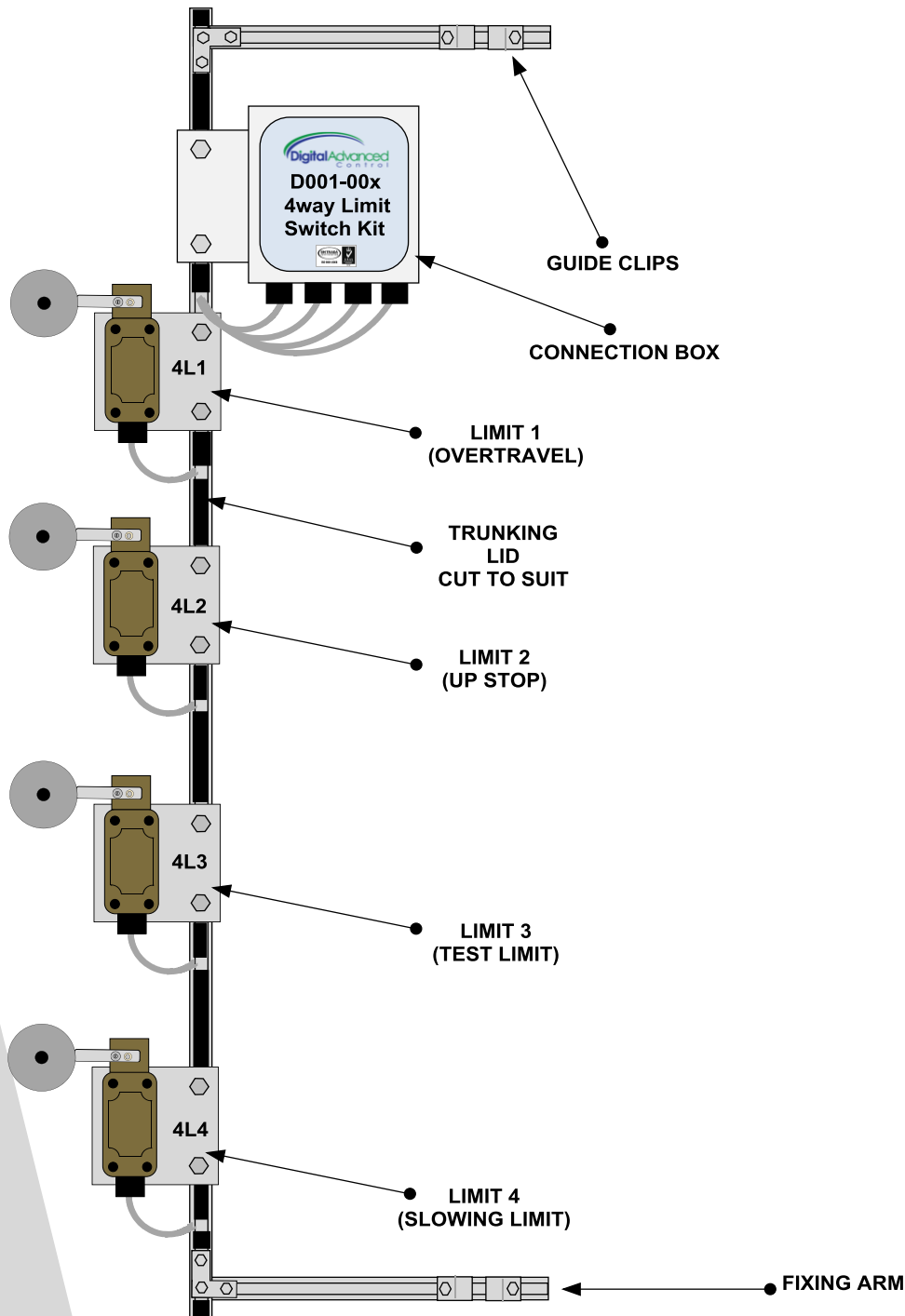


4Way Limit Switch Kit Data Sheet.

Schmersal adjustable arm limit



4Way Limit Switch Kit Data Sheet.



The Limits should be adjusted with the shortest amount of stroke, required for the correct operation. The limits have both a N/O and N/C contact in each limit. The limits are designed to mount on the guides. The limits should be adjusted so the stroke does not reach the maximum operating point. Do not adjust the limit such that undue force is placed on the cable. The trunking covers should be cut to suit after the lift has been installed and tested.

Unit 2 Faraday Close, Drayton Fields Industrial Estate, Daventry, NN11 8RD

TEL: +44(0)1327 879334 FAX: +44(0)1327 877087

Email: enquiries@digital-advanced-control.co.uk

4Way Limit Switch Kit Data Sheet.

Designed, Assembled and supported in the UK

Features

- Schmersal Pre-wired Limits
- 3metres in length.
- Adjustable arm with secure location bolt and 50mm Rubber wheel.
- Pre-Wired to Industry Standard.
- Quality German Weidmuller Terminals.
- Genuine Unistrut® for quality finish.
- Galvanised boxes and fabrication.
- 100% Tested.
- Competitively Priced.

Technical Data

Overall Dimensions	3Metres x 0.25	Unit Weight	15Kg
Enclosure	1mm Galvanised box, Limit Enclosure glass-fibre reinforced thermoplastic, self-extinguishing		
Temperature	-5° to +40°c		
Maximum Ith	10A	Max Voltage	500V
Contact Rating	To EN60947-5-1, AC15 4A/240V, DC13 1A 24VDC		
IP Rating	Limit IP67, Enclosure IP21		
No Of Operations	30 million operations		
Cable Capacity	1.5mm ² for the terminals, 0.75mm ² from the terminals to the limits.		
Standards	BSEN81-Part1/2 ,EN60947-5-1, BS EN 60204-1:2006+A1:2009.		